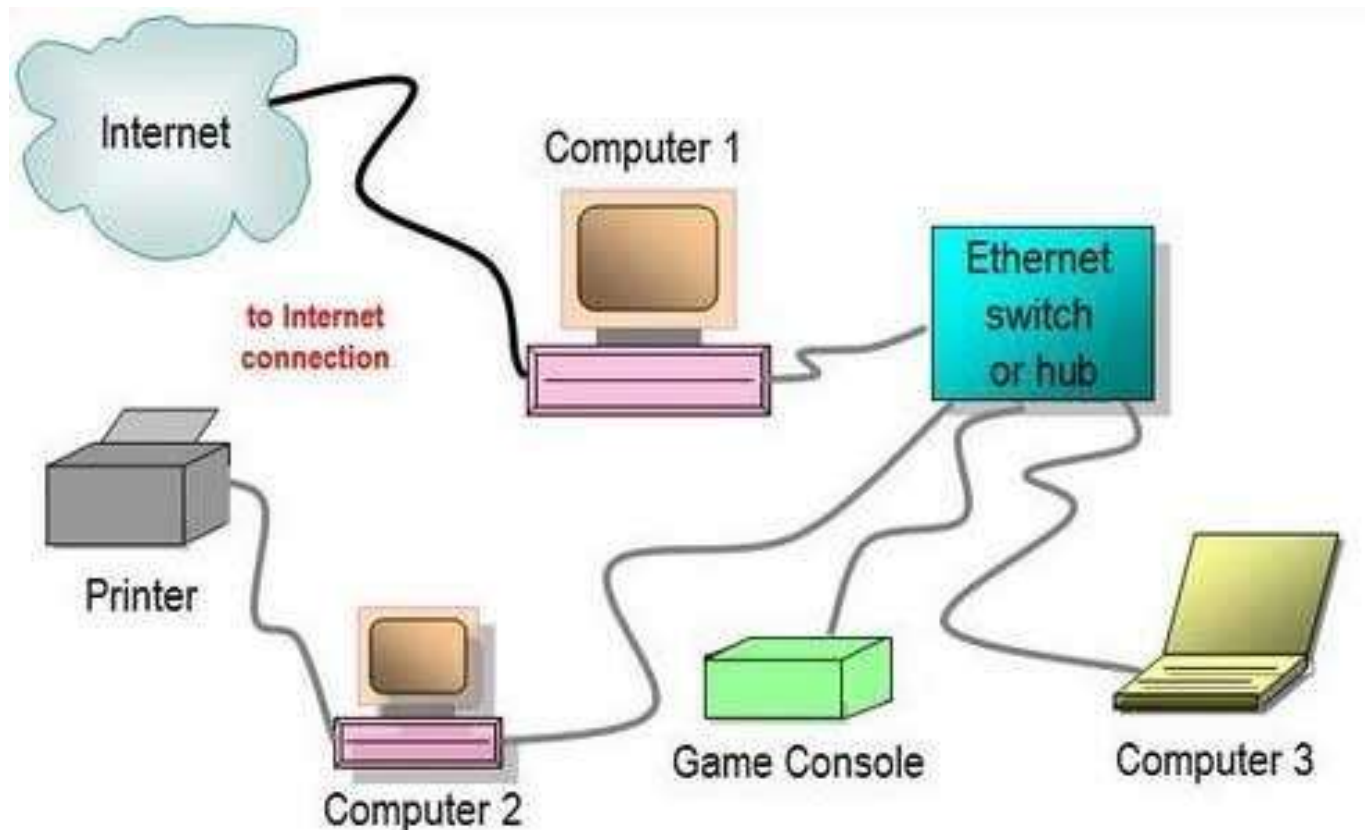


Chapter 14

Other Wired Networks



Objective

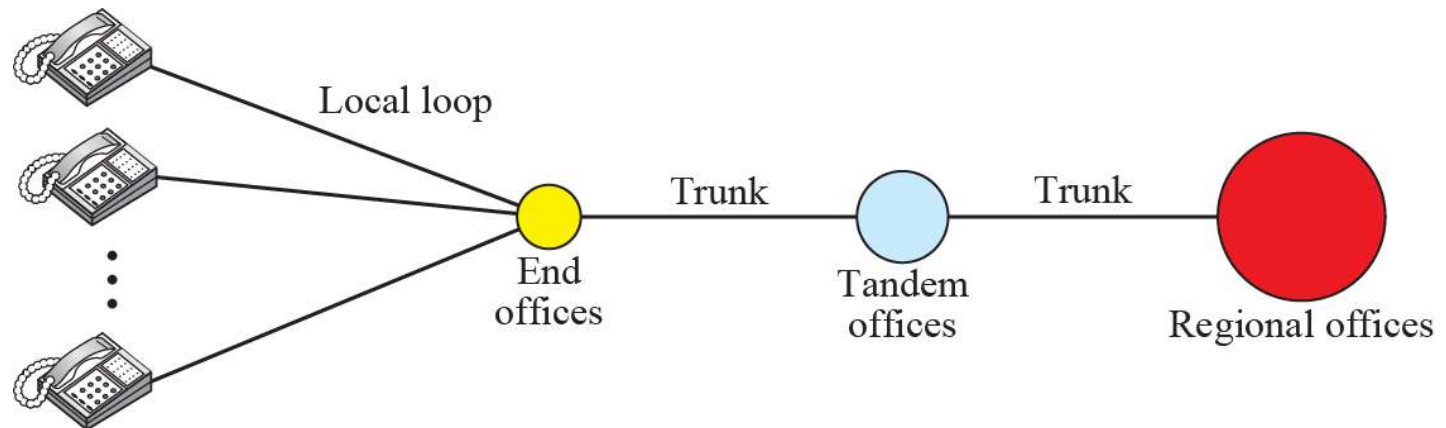
- Telephone network: a dial-up service or DSL service.
- Cable network.
- SONET with a fiber-optic technology for high-speed connection to carry data.
- ATM, which can use SONET as the carrier to create a high-speed wide area network (WAN).

Telephone Network

- The telephone network had its beginnings in the late 1800s. The entire network was originally an analog system using analog signals to transmit voice.
- With the advent of the computer era, the network, in the 1980s, began to carry data in addition to voice.
- During the last decade, the telephone network has undergone many technical changes. The network is now digital as well as analog.

Major Components

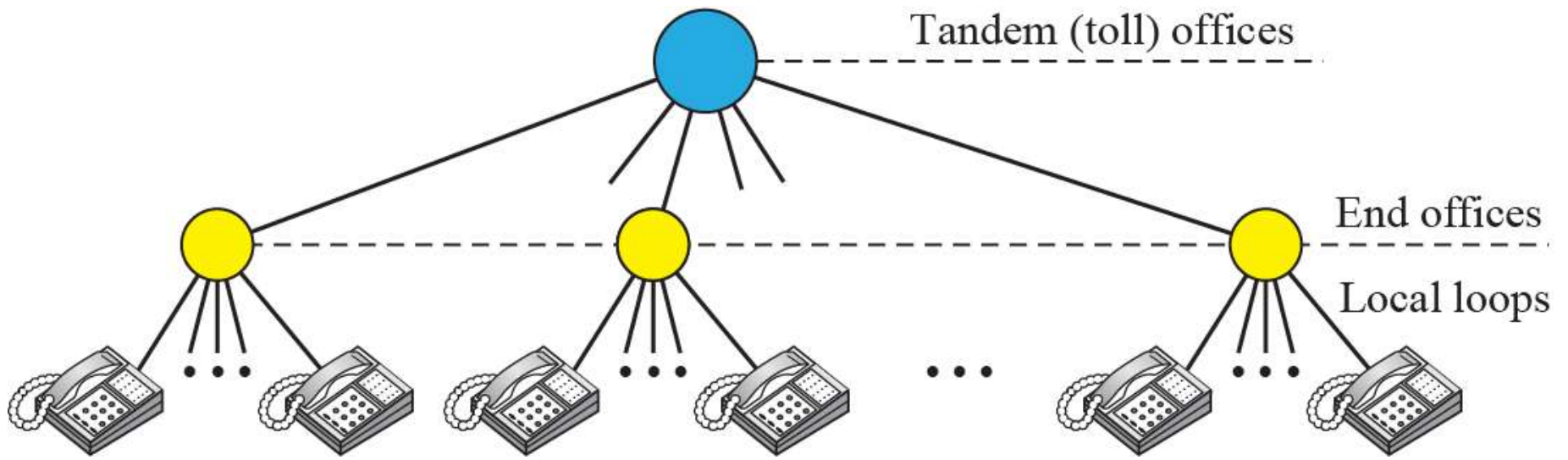
- The telephone network is made of three major components: local loops, trunks, and switching offices.
- The telephone network has several levels of switching offices such as end offices, tandem offices, and regional offices.



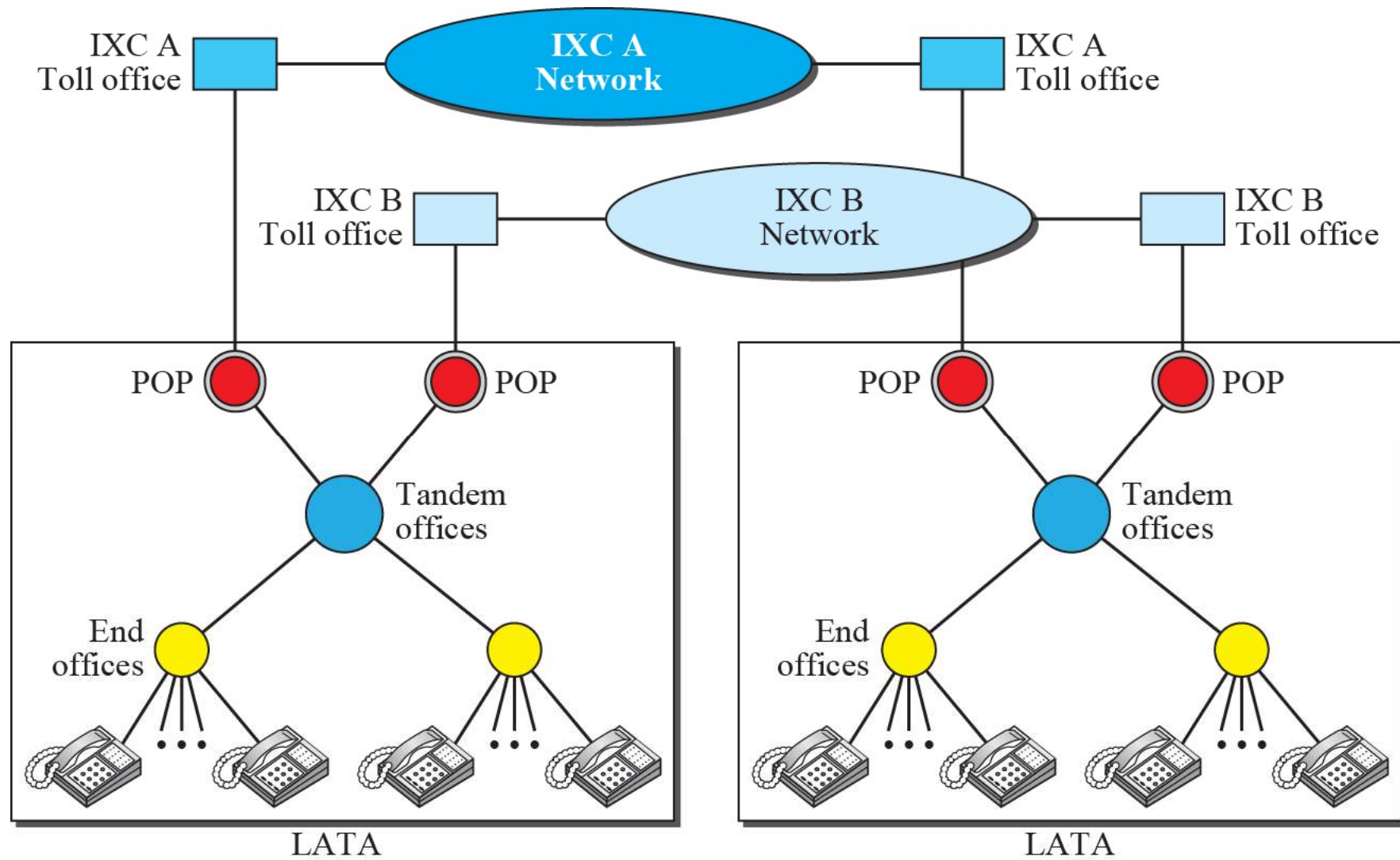
A telephone system

LATAs

- After the divestiture of 1984, the United States was divided into more than 200 **local-access transport areas (LATAs)**. The number of LATAs has increased since then. A LATA can be a small or large metropolitan area.
- A small state may have a single LATA; a large state may have several LATAs. A LATA boundary may overlap the boundary of a state; part of a LATA can be in one state, part in another state.



Switching offices in a LATA



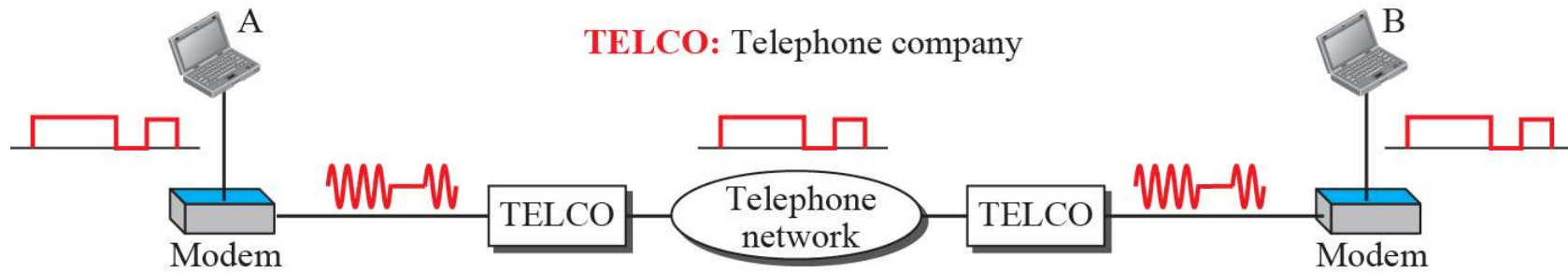
Points of presence (POPs)

Signaling

- The telephone network used a circuit-switched network with dedicated links to transfer voice communication.
- As telephone networks evolved into a complex network, the functionality of the signaling system increased.
- The signaling system was required to perform other tasks.

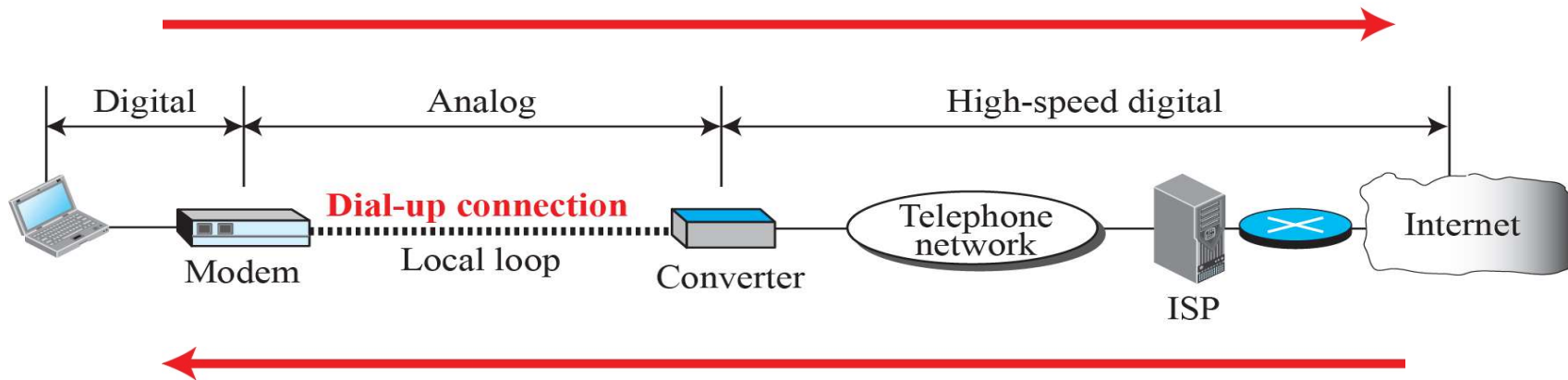
Services

- Telephone companies provide two types of services: analog and digital. Traditional telephone lines can carry frequencies between 300 and 3300 Hz, giving them a bandwidth of 3000 Hz.
- A dial-up service uses a modem to send data through telephone lines. The term modem is a composite word that refers to the two functional entities that make up the device: **a signal modulator and a signal demodulator.**



Modulation/demodulation

Uploading: 33.6 Kbps



Downloading: 56 Kbps

Dial-up network to provide Internet access

Digital Subscriber Line (DSL)

- After traditional modems reached their peak data rate, telephone companies developed another technology, DSL, to provide higher-speed access to the Internet.
- Digital subscriber line (DSL) technology is to support high-speed digital communication over the existing telephone.
- DSL technology is a set of technologies, each differing in the first letter (ADSL, VDSL, HDSL, and SDSL).

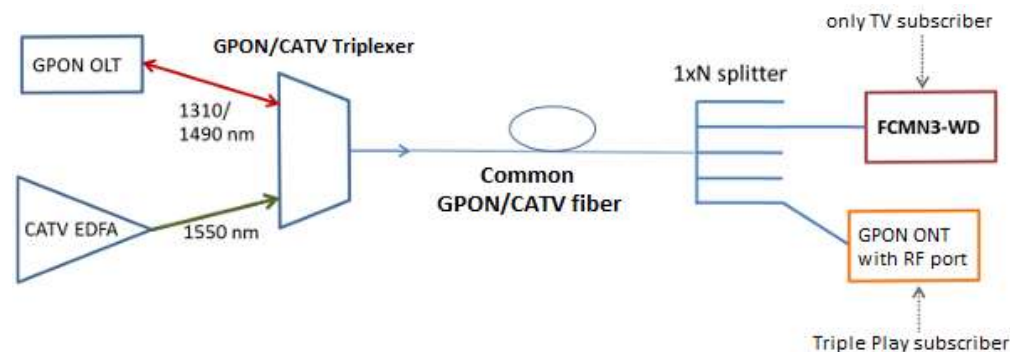
Cable Network

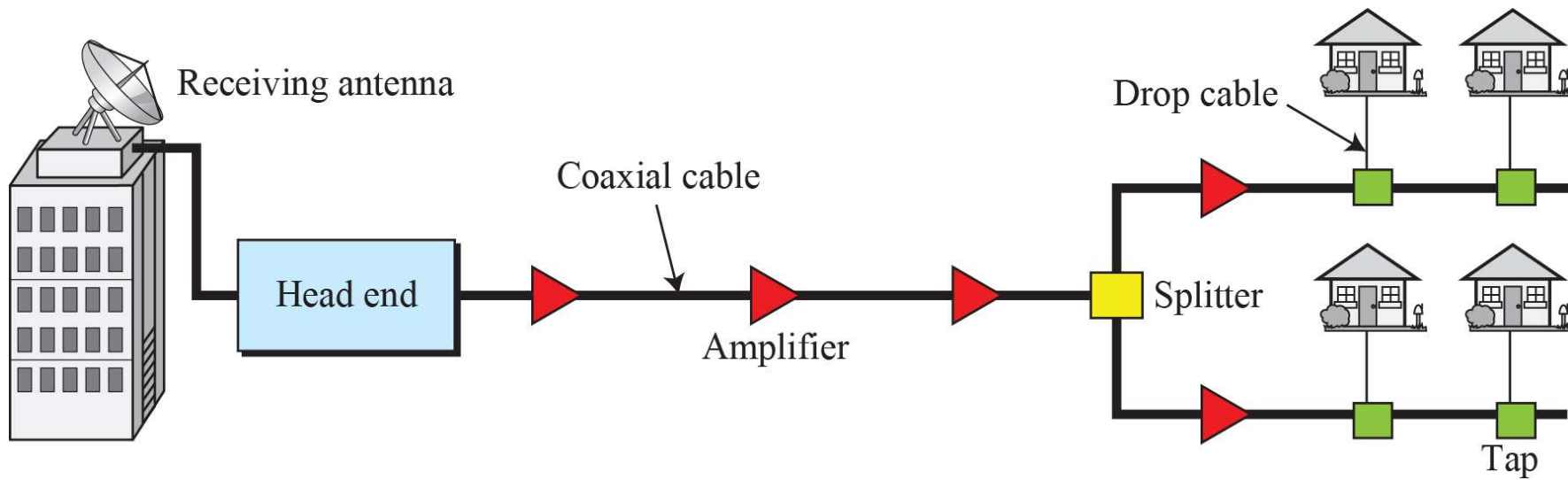
- The cable networks became popular with people who just wanted a better signal. In addition, cable networks enabled access to remote broadcasting stations via microwave connections.
- Cable TV also found a good market in Internet access provision, using some of the channels originally designed for video.



Traditional Cable Networks

- Cable TV started to distribute broadcast video signals to locations with poor or no reception in the late 1940s.
- It was called community antenna television (CATV) because an antenna at the top of a tall hill or building received the signals from the TV stations and distributed them, via coaxial cables, to the community.

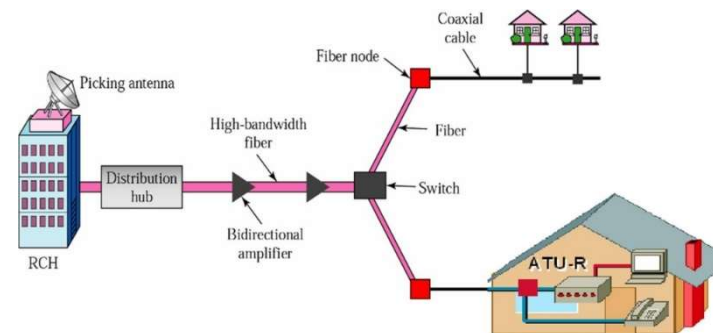




Traditional cable TV network

HFC Network

- The second generation of cable network is called a **hybrid fiber-coaxial (HFC)** network. The network uses a combination of fiber-optic and coaxial cable.
- The transmission medium from the cable TV office to a box, called the fiber node, is optical fiber; from the fiber node through the neighborhood and into the house is still coaxial cable.

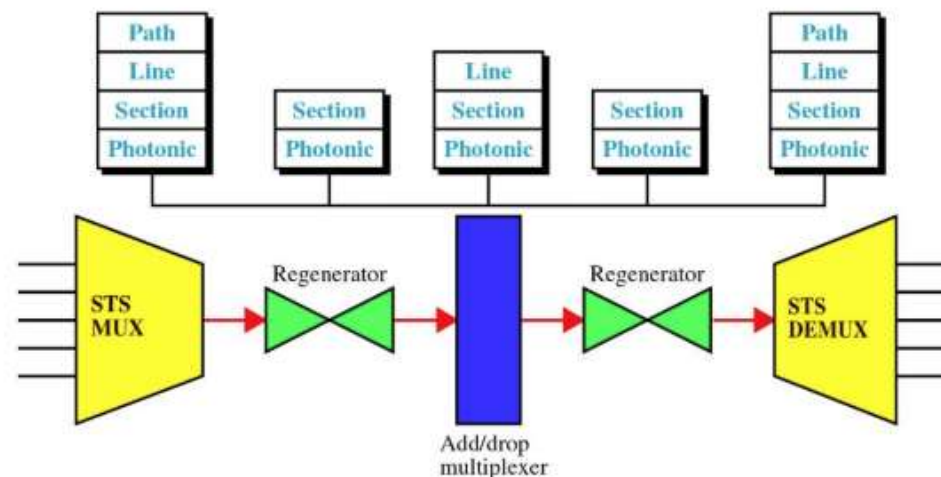


Cable TV for Data Transfer

- Cable companies are now competing with telephone companies for the residential customer who wants high-speed data transfer.
- DSL technology provides high-data-rate connections for residential subscribers over the local loop. However, DSL uses the existing unshielded twisted-pair cable, which is very susceptible to interference.
- This imposes an upper limit on the data rate. **A solution is the use of the cable TV network.**

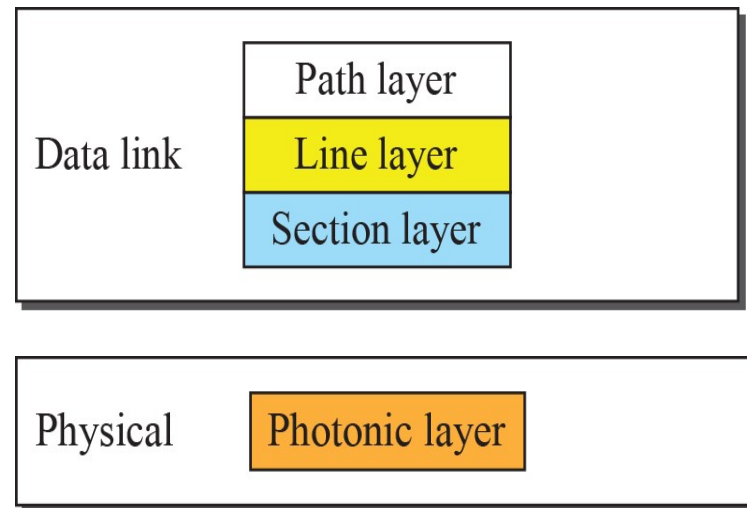
SONET

- We introduce a wide area network (WAN). SONET is used as a transport network to carry loads from other WANs.
- We first discuss SONET as a protocol, and we then show how SONET can be constructed from the standards defined in the protocol.



SONET Layers

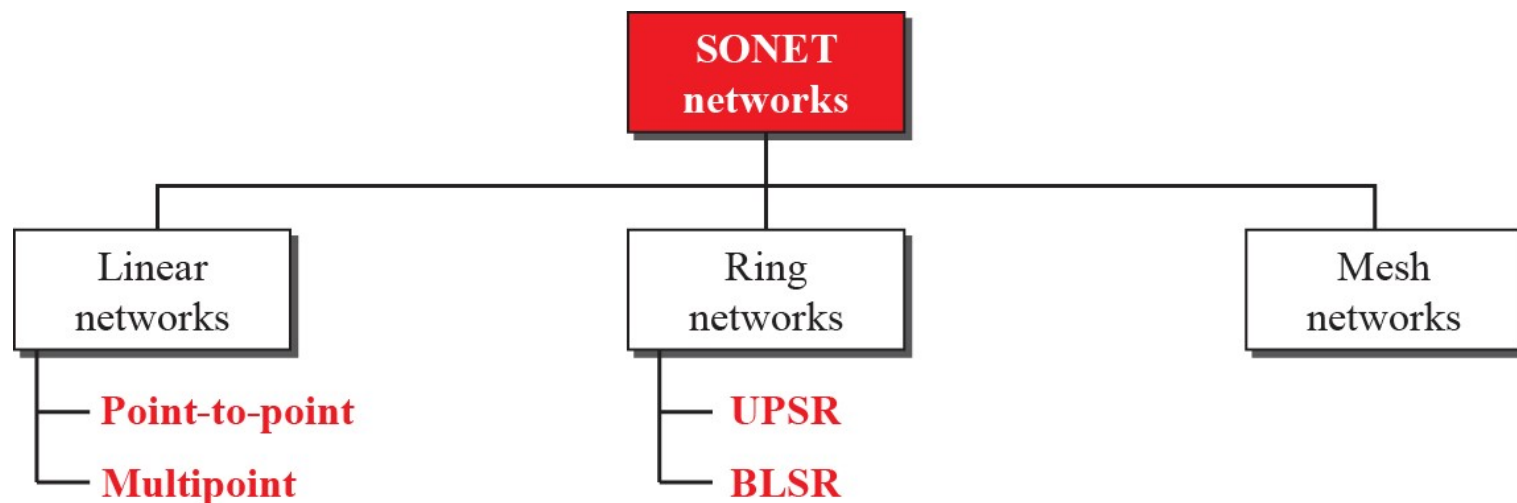
- The SONET standard includes four functional layers: the photonic, the section, the line, and the path layer. They correspond to both the physical and the data-link layers .



SONET layers compared with OSI or the Internet layers

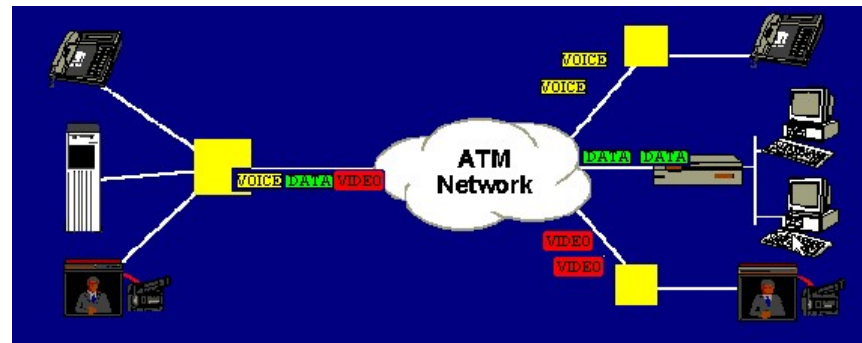
SONET Networks

- Using SONET equipment, SONET can be used as a **high-speed backbone** carrying loads from other networks such as ATM or IP.
- SONET can be divided into three categories: linear, ring, and mesh networks.



ATM

- **Asynchronous Transfer Mode (ATM)** is a **switched wide area network** based on the **cell relay protocol** designed by the ATM forum and adopted by the ITU-T.
- The combination of ATM and SONET will allow high-speed interconnection of all the world's networks. In fact, ATM can be thought of as the “highway” of the information superhighway.



Design Goals

- Among the challenges faced by the designers of ATM, six stand out.
 1. *The need for a transmission system to optimize the use of high-data-rate.*
 2. *The system must interface with existing systems.*
 3. *The design must be implemented inexpensively.*
 4. *The new system must be able to work with and support the existing hierarchies*
 5. *The new system must be connection-oriented.*
 6. *Last but not least, one objective is to move as many of the functions to hardware as possible.*

Architecture

- ATM is a cell-switched network. The user devices, called the endpoints, are connected through a user-to-network interface (UNI) to the switches inside the network. The switches are connected through network-to-network interfaces (NNIs).

